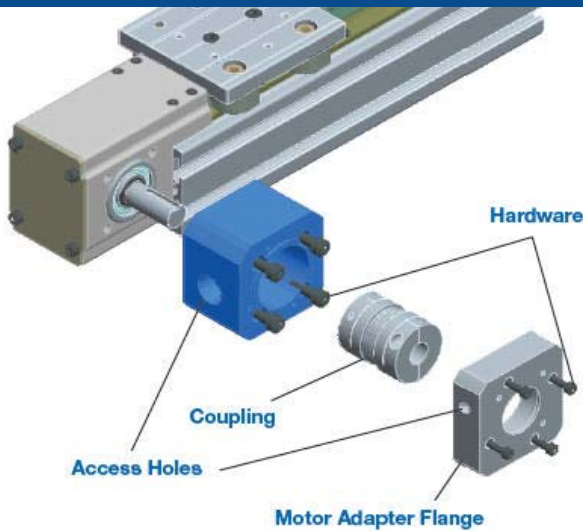


Motor Mount Instructions

Motion Without Limits[®]



Bolt Tightening Torque:

Thread Size	Wrench Size	Torque to: Nm (lb-in)
M3	2.5mm	2 (18)
M4	3mm	4 (35)
M5	4mm	8 (71)
M6	5mm	14 (124)
M8	6mm	35 (310)
M10	8mm	67 (593)

Ordering Information:

LP3BC E 1 K

System Size/Drive Type

LP1BC: Size 1 Belt or Chain
 LP2SBC: Size 2S Belt or Chain
 LP2LBC: Size 2L Belt or Chain
 LB3BC: Size 3 Belt or Chain
 LB4BC: Size 4 Belt or Chain
 LP1LS: Size 1 Lead Screw
 LP2BL: Size 2 Ball or Lead Screw
 LP3BL: Size 3 Ball or Lead Screw
 LP4BL: Size 4 Ball or Lead Screw

Coupling

E: Elastomer
 B: Bellows

Motor or Gearhead

Enter Manufacturer Name and Model Number

Shaft Configuration (size 1 belt/chain only; for all other systems, leave blank)

L: Left Hand
 R: Right Hand

Corrosion Resistance

blank: Standard Hardware
 CR: Corrosion Resistant Hardware

Keyways

N: No Keyways
 K: Keyways

Torque Rating N·m / (Bore Range)

LP1BC:	Elastomer	Bellows	LP3BC:	Elastomer	Bellows	LP2BL:	Elastomer	Bellows
1:	8 / (8-16mm)	4 / (3-14mm)	1:	60 / (14-29mm)	50 / (15-34mm)	1:	5 / (5-8mm)	5 / (6-11mm)
			2:	90 / (.750"-29mm)	--			
LP2SBC:	Elastomer	Bellows	LP4BC:	Elastomer	Bellows	LP3BL:	Elastomer	Bellows
1:	8 / (8-16mm)	10 / (8-16mm)	1:	150 / (22-38mm)	100 / (22-38mm)	1:	15 / (.375"-.750")	10 / (8-16mm)
						2:	20 / (12mm-.750")	20 / (10-20mm)
LP2LBC:	Elastomer	Bellows	LP1LS:	Elastomer	Bellows	LP4BL:	Elastomer	Bellows
1:	30 / (.500"-26mm)	25 / (10-28mm)	1:	5 / (5-8mm)	2 / (3-10mm)	1:	30 / (.500"-26mm)	40 / (12-28mm)
2:	45 / (18-26mm)	--	2:	--	5 / (3-10mm)	2:	45 / (18-26mm)	--

BISHOPWISECARVER[®]

925.439.8272 888.580.8272 www.bwc.com