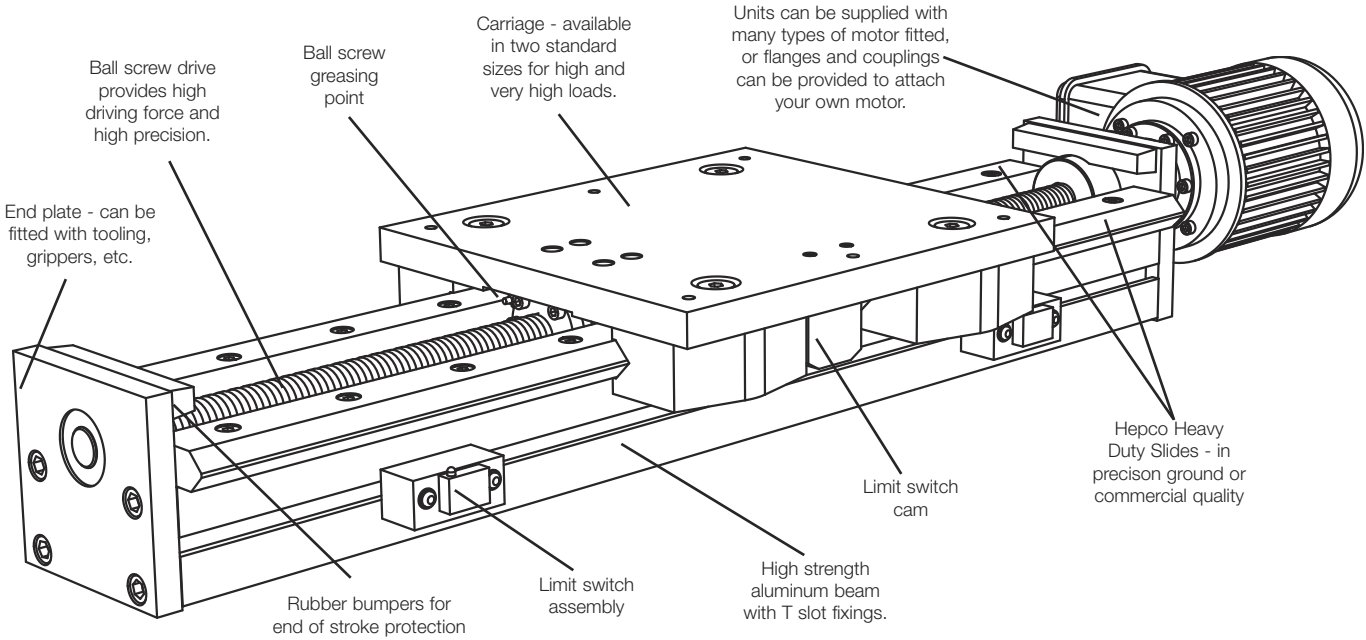
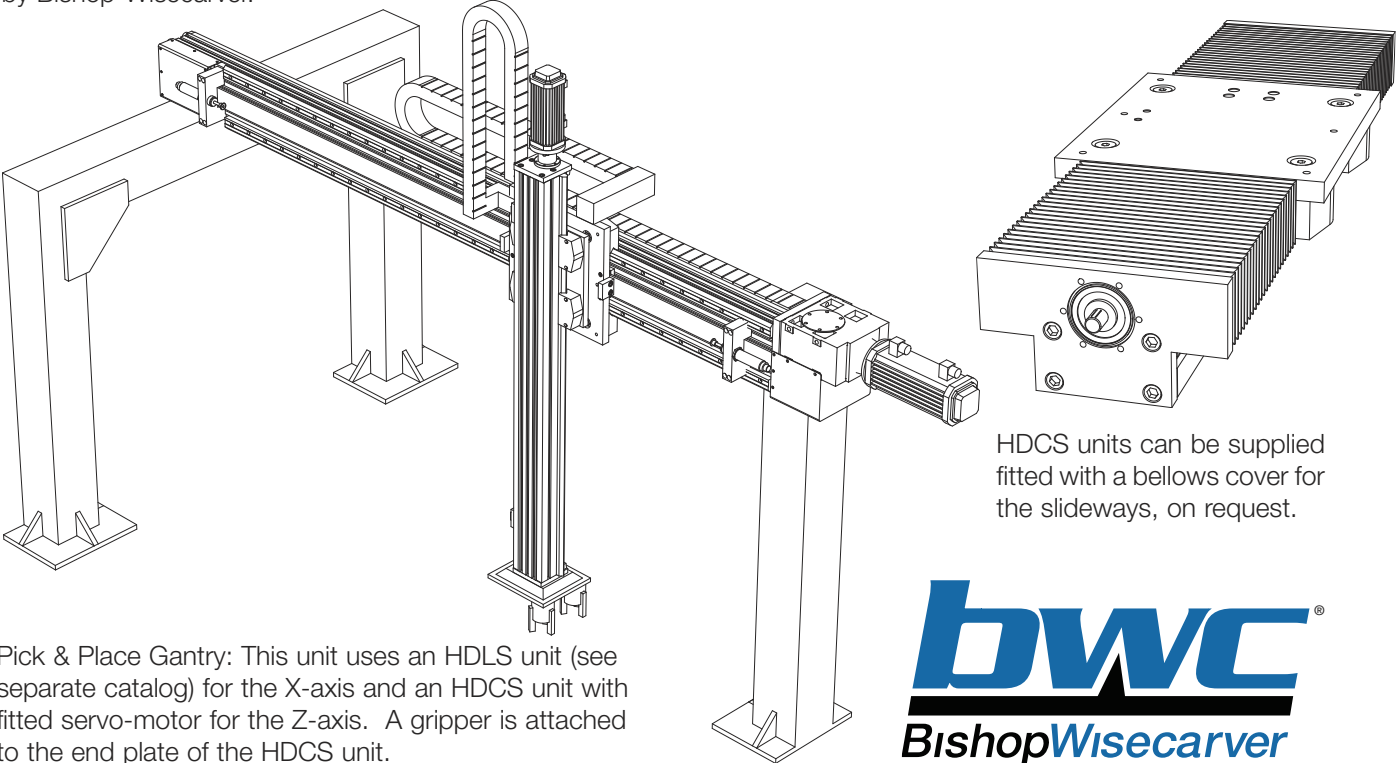


# HepcoMotion® HDCS Heavy Duty Compact Ball Screw Transmission Data Sheet

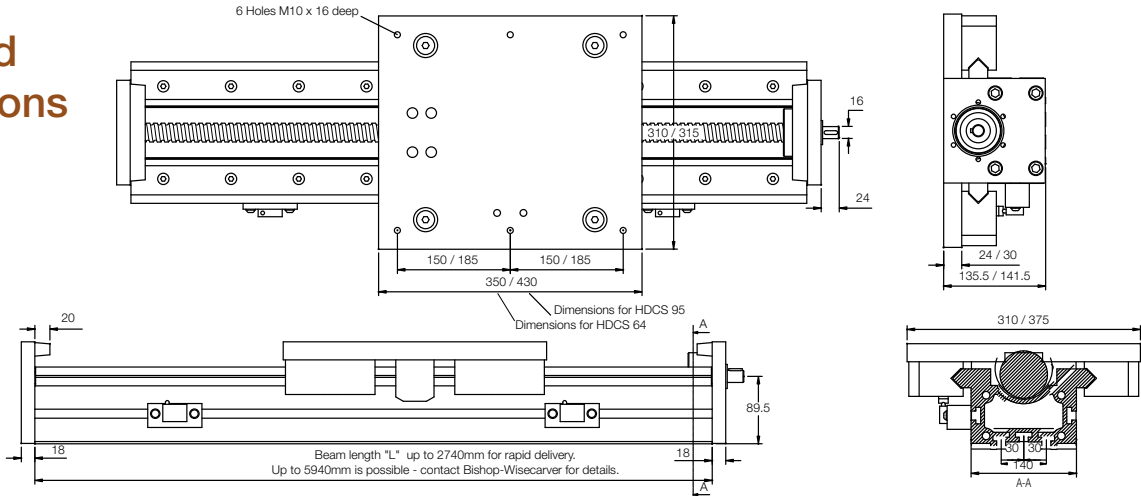
The HDCS unit is built on a strong, compact aluminum beam, fitted with the popular Heavy Duty Slides. Two sizes of carriage are available with the drive provided by a Ø25mm ballscrew. Units are compatible with Bishop-Wisecarver's range of driven products, including HDLS and DLS. This data sheet gives a brief overview of the product. CAD models will be provided against a specific application, for full details, please contact Bishop-Wisecarver's Sales Department.



Hepco HDCS units can be supplied with many useful options including bellows covers, motors, couplings, flanges, T nuts, brackets etc. They can be used in multi-axis systems, which can be built by the customer or supplied complete by Bishop-Wisecarver.



# Data and Dimensions



**Notes:**

- 1 The speed and force may be reduced for long systems, due to ball screw limitations. Contact Bishop-Wisecarver for advice.
- 2 Dimensions in italics relate to units with the larger size 95 bearings. Other dimensions relate to size 64.
- 3 Flanges, couplings and many different motors are available. Contact Bishop-Wisecarver for details.

## Load Capacities

The table below shows the maximum loading for each carriage in each possible loading mode. It also includes loads for 10,000km travel. This table is intended as a guide for initial selection only. Please complete and submit the Application Data Sheet on the Bishop-Wisecarver website and we will calculate the system Load/Life for you.

Carriage Type	L1	L2	Ms	Mv	M
HDCS 64	max 10,000N @300km	max 16,000N @500km	max 900Nm @ 300km	max 1,800Nm @500km	max 1,125Nm @ 300km
	3,100N @ 10,000km	5,895N @10,000km	297Nm @ 10,000km	663Nm @10,000km	348Nm @ 10,000km
HDCS 95	max 28,000N @400km	max 40,000N @ 400km	max 2,520Nm @400km	max 5,400Nm @ 400km	max 3,780Nm @400km
	9,570N @10,000km	13,680N @ 10,000km	861Nm @10,000km	1,846Nm @ 10,000km	1,291Nm @10,000km

## Maximum Driving Force

HDCS 64/95	5mm Pitch	10mm Pitch
Ca	12.8 kN	19.4 kN
Coa	31.1 kN	38.7 kN

## Ordering Details

Product range \_\_\_\_\_ **HD**CS **64** **P1** **L1850** **P10**

Bearing size. Choose 64 or 95 depending on load capacity \_\_\_\_\_

**P1** = precision grade slides, **P3** = commercial grade slides \_\_\_\_\_

Beam length (see dim L at top of page) \_\_\_\_\_

Screw pitch. **P5** = 5mm, **P10** = 10mm \_\_\_\_\_

For guidance on other options, contact Bishop-Wisecarver.