



January 8th 2018: PRODUCT STATUS NOTIFICATION – ECO60 E60 Version Obsolete

Bishop-Wisecarver Corporation is informing you of the obsolescence and replacement of the ECO60 E60 Economy Linear Actuator product line.

This life cycle change is occurring because a significantly improved version was developed and is now available as a direct replacement. BWC does not intend to support the previous E60 version in the future and is considered obsolete. The new ECO60B version is available as an alternative.

Upon the depletion of our ECO60 E60 inventory the following product stock codes will be discontinued or otherwise obsolete:

BWC Product Line	Version	Obsolete Stock Code ①	Product Description
ECO60™	E60	E60T__K	ECO60 Actuator, 0.1" Lead, All Travel Strokes
		E60T__K_HL	ECO60 Actuator, 0.1" Lead, All Travel Strokes, with Home & Limit Sensor Mounts Only
		E60T__K_XY	ECO60 Actuator, 0.1" Lead, All Travel Strokes, with Home & Limit Sensors
		E60T__P	ECO60 Actuator, 0.2" Lead, All Travel Strokes
		E60T__P_HL	ECO60 Actuator, 0.2" Lead, All Travel Strokes, with Home & Limit Sensor Mounts Only
		E60T__P_XY	ECO60 Actuator, 0.2" Lead, All Travel Strokes, with Home & Limit Sensors
		E60T__U	ECO60 Actuator, 0.5" Lead, All Travel Strokes
		E60T__U_HL	ECO60 Actuator, 0.5" Lead, All Travel Strokes, with Home & Limit Sensor Mounts Only
		E60T__U_XY	ECO60 Actuator, 0.5" Lead, All Travel Strokes, with Home & Limit Sensors
		ECO60REPLK	ECO60 Repair Kit, 0.1" Lead Screw Nut
		ECO60REPLP	ECO60 Repair Kit, 0.2" Lead Screw Nut
		ECO60REPLU	ECO60 Repair Kit, 0.5" Lead Screw Nut

① The double "__" characters refer to the actuator travel length options from 03 to 36 in 01 inch increments.
The single "_" character refers to the dust cover option and is either blank for none, or a C when cover is included.

To support your current and future application needs, BWC has identified alternative products listed below. Parts and components are not interchangeable between versions.

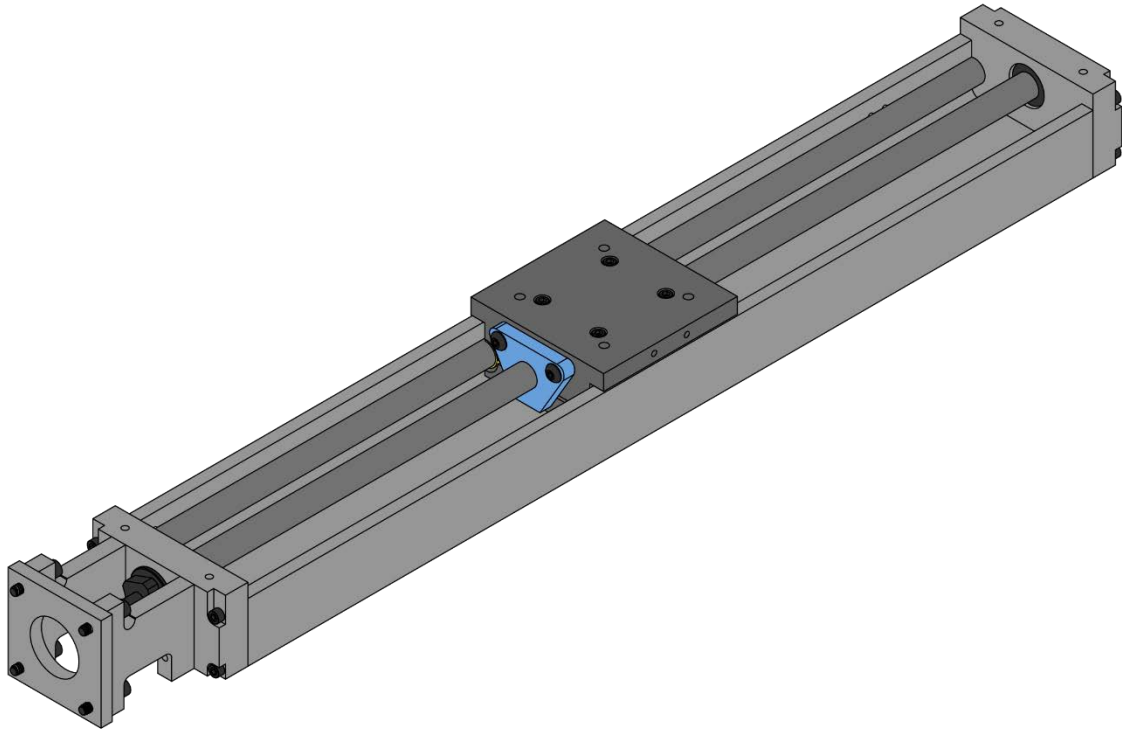
BWC Product Line	Obsolete Stock Code ①	Replacement Stock Code ①	Replacement Product Description
ECO60™	E60T__K	ECO60BT__K	ECO60B Actuator, 0.1" Lead, All Travel Strokes
	E60T__K_HL	ECO60BT__K_HL	ECO60B Actuator, 0.1" Lead, All Travel Strokes, with Home & Limit Sensor Mounts Only
	E60T__K_XY	ECO60BT__K_XY	ECO60B Actuator, 0.1" Lead, All Travel Strokes, with Home & Limit Sensors
	E60T__P	ECO60BT__P	ECO60B Actuator, 0.2" Lead, All Travel Strokes
	E60T__P_HL	ECO60BT__P_HL	ECO60B Actuator, 0.2" Lead, All Travel Strokes, with Home & Limit Sensor Mounts Only
	E60T__P_XY	ECO60BT__P_XY	ECO60B Actuator, 0.2" Lead, All Travel Strokes, with Home & Limit Sensors
	E60T__U	ECO60BT__U	ECO60B Actuator, 0.5" Lead, All Travel Strokes
	E60T__U_HL	ECO60BT__U_HL	ECO60B Actuator, 0.5" Lead, All Travel Strokes, with Home & Limit Sensor Mounts Only
	E60T__U_XY	ECO60BT__U_XY	ECO60B Actuator, 0.5" Lead, All Travel Strokes, with Home & Limit Sensors
	ECO60REPLK	ECO60BREPLK	ECO60B Repair Kit, 0.1" Lead Screw Nut
	ECO60REPLP	ECO60BREPLP	ECO60B Repair Kit, 0.2" Lead Screw Nut
	ECO60REPLU	ECO60BREPLU	ECO60B Repair Kit, 0.5" Lead Screw Nut

① The double "__" characters refer to the actuator travel length options from 03 to 36 in 01 inch increments.
The single "_" character refers to the dust cover option and is either blank for none, or a C when cover is included.

**Questions? Please contact your local representative or
Bishop-Wisecarver Corporation customer service at 1.888.580.8272**



Obsolete Version: ECO60 Version E60



Current Version: ECO60 Version ECO60B

