



January 5th 2018: PRODUCT STATUS NOTIFICATION – SlickStick S16/SLK16 Obsolete

Bishop-Wisecarver Corporation is informing you of the obsolescence and replacement of the SlickStick S/16SLK16 Entry-Level Linear Actuator product line.

This life cycle change is occurring because a significantly improved version was developed and is now available as a direct replacement. BWC does not intend to support the previous S16/SLK16 version in the future and is considered obsolete. The new SLKA version is available as an alternative.

Upon the depletion of our SlickStick S16/SLK16 inventory the following product stock codes will be discontinued or otherwise obsolete:

BWC Product Line	Version	Obsolete Stock Code ①	Product Description
SlickStick™	SLK16 & S16	S16T__U	SlickStick Actuator, 0.5" Lead, All Travel Strokes
		S16T__UHL	SlickStick Actuator, 0.5" Lead, All Travel Strokes, with Home & Limit Sensor Mounts Only
		S16T__UXY	SlickStick Actuator, 0.5" Lead, All Travel Strokes, with Home & Limit Sensors
		S16T__W	SlickStick Actuator, 1.0" Lead, All Travel Strokes
		S16T__WHL	SlickStick Actuator, 1.0" Lead, All Travel Strokes, with Home & Limit Sensor Mounts Only
		S16T__WXY	SlickStick Actuator, 1.0" Lead, All Travel Strokes, with Home & Limit Sensors
		SLK16REPLU	SlickStick Repair Kit, 0.5" Pitch Lead Screw Nut
		SLK16REPLW	SlickStick Repair Kit, 1.0" Pitch Lead Screw Nut
		SLK16M04N23	SlickStick Motor Adapter Kit, NEMA23 with Coupler and Hardware
		SLK160400701	SlickStick Motor Adapter Flange, NEMA23

① The "__" characters refer to the actuator travel length options and include values of 06, 12, 18, 24, 36, 48, 54, 60, 65.

To support your current and future application needs, BWC has identified alternative products listed below. Parts and components are not interchangeable between versions.

BWC Product Line	Obsolete Stock Code ①	Replacement Stock Code ②	Replacement Product Description
SlickStick™	S16T__U	SLKAT__UNN	SlickStick Actuator, 0.5" Lead, All Travel Strokes
	S16T__UHL	SLKAT__UHL	SlickStick Actuator, 0.5" Lead, All Travel Strokes, with Home & Limit Sensor Mounts Only
	S16T__UXY	SLKAT__UXY	SlickStick Actuator, 0.5" Lead, All Travel Strokes, with Home & Limit Sensors
	S16T__W	SLKAT__WNN	SlickStick Actuator, 1.0" Lead, All Travel Strokes
	S16T__WHL	SLKAT__WHL	SlickStick Actuator, 1.0" Lead, All Travel Strokes, with Home & Limit Sensor Mounts Only
	S16T__WXY	SLKAT__WXY	SlickStick Actuator, 1.0" Lead, All Travel Strokes, with Home & Limit Sensors
	SLK16REPLU	SLKAREPLU	SlickStick Repair Kit, 0.5" Pitch Lead Screw Nut
	SLK16REPLW	SLKAREPLW	SlickStick Repair Kit, 1.0" Pitch Lead Screw Nut
	SLK16M04N23	SLKAM04N23	SlickStick Motor Adapter Kit, NEMA23 with Coupler and Hardware
	SLK160400701	N/A	SlickStick Motor Adapter Flange, NEMA23

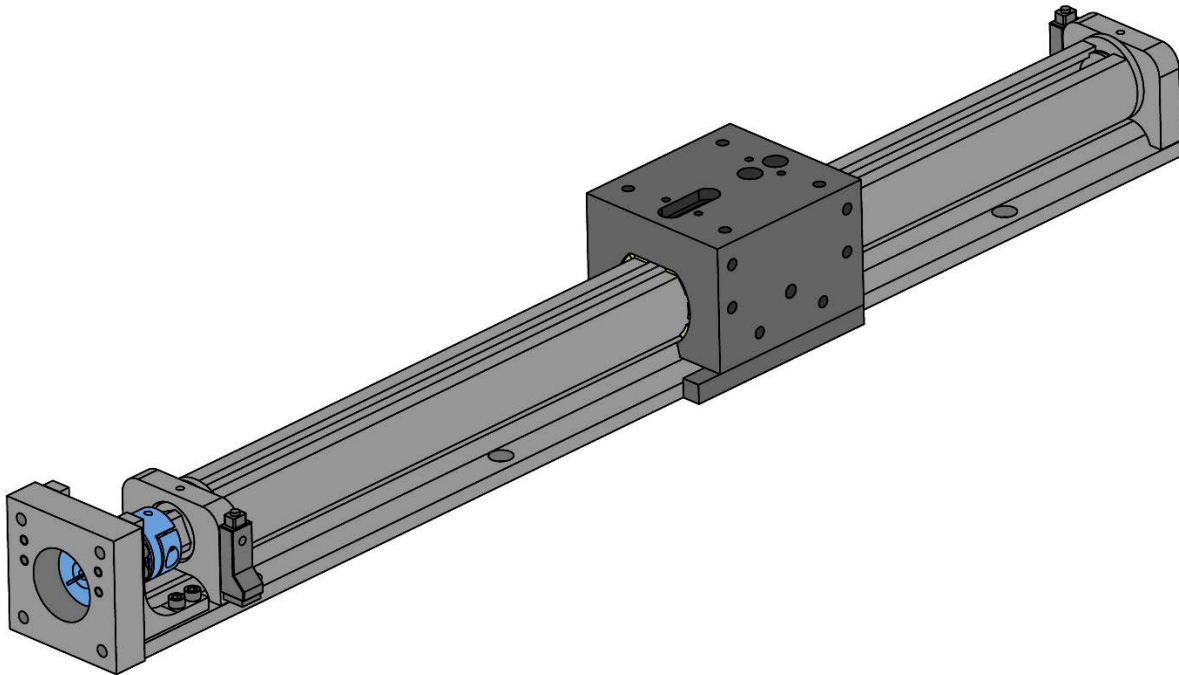
① The "__" characters refer to the actuator travel length options and include values of 06, 12, 18, 24, 36, 48, 54, 60, 65.

② The "__" characters refer to the actuator travel length options and include values of 06, 12, 18, 24, 30, 36, 48.

**Questions? Please contact your local representative or
Bishop-Wisecarver Corporation customer service at 1.888.580.8272**



Obsolete Version: SlickStick S16/SLK16



Current Version: SlickStick SLKA

